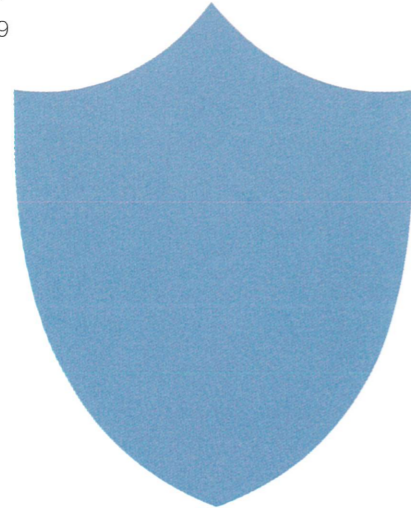


HD 1080P Wireless Security Wi-Fi Camera

User Manual
Version: Aug, 2019



Size: 109x39x46mm



Tiny Clock



Size: 82x81x82mm



Speaker Clock

Overview:

These two fashion designed, local temperature and humidity info which auto-sync from internet once connected with Wi-Fi; The most important, it is integrated with a powerful 1080p smart invisible Wi-Fi camera comes with 6 meters powerful night vision.

First, it can be used for watching live streaming video day and night, or taking photo and video by APP in smart-phone remotely after Wi-Fi connected; Also, it supports Point to Point (P2P) function, easily connected for local live video without Wi-Fi.

Second, it also support motion detect alarm function, cycle recording and work when charging.

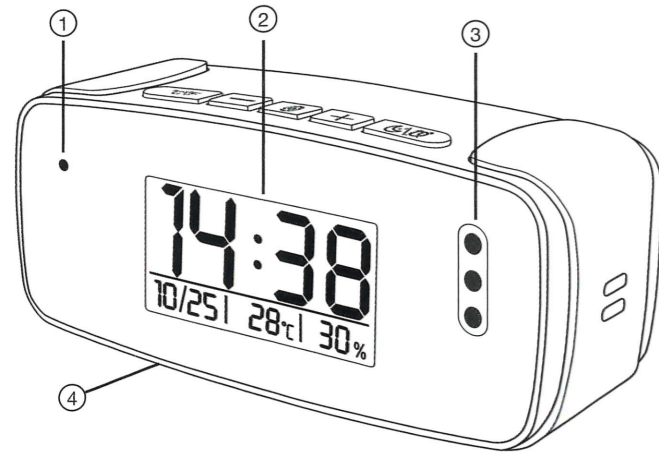
Usages: Nanny camera, Home/ Shop/ Office/ Warehouse surveillance camera.....

Warning : " illegal use is not allowed! Or, there will be consequences to bear! "

In the box:

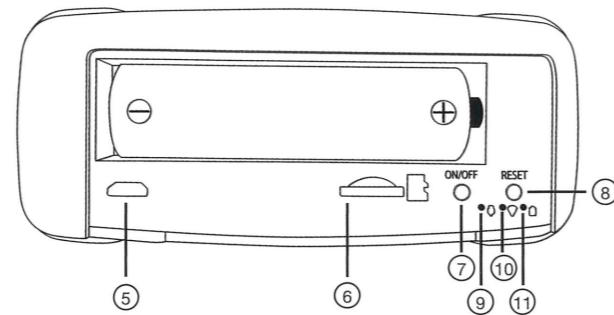
- 1 x Camera Unit
- 1 x 5V2A power adapter
- 1 x Micro SD Card Reader
- 1 x USB Cable
- 1 x User Manual

Product structure of Tiny Clock:



- ① Camera
- ② Display
- ③ Invisible night vision leds (Turn ON/OFF Automatically)
- ④ Device UID & QR code

3



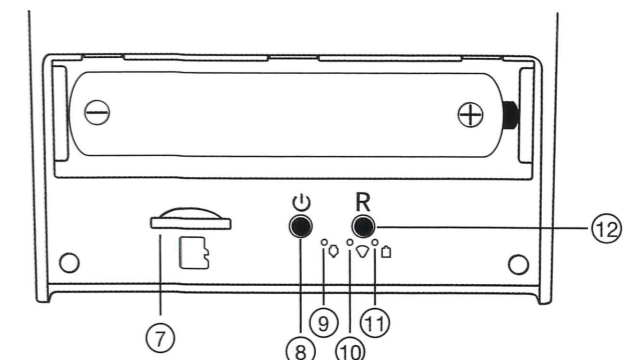
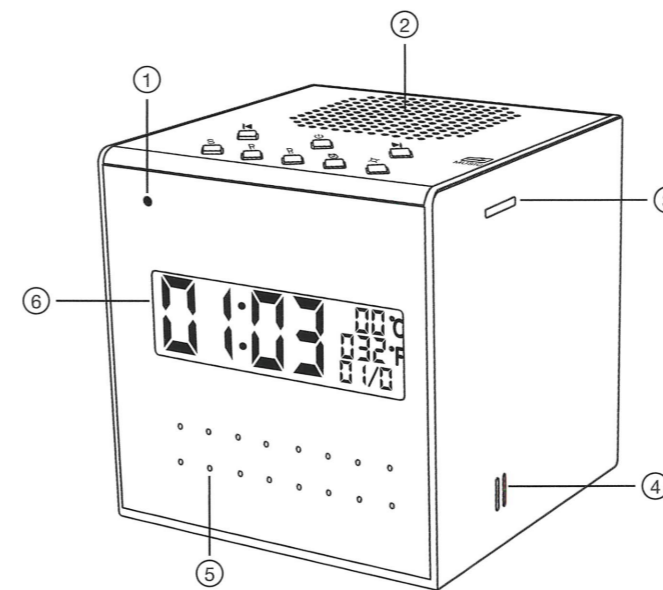
- ⑤ USB port
- ⑥ Micro SD card slot
- ⑦ ON/OFF Key
- ⑧ Reset Key
- ⑨ Power indicator
- ⑩ Wi-Fi indicator
- ⑪ Charging indicator

Clock part of Tiny Clock:

- °C/°F Short press = Centigrade degree to Fahrenheit
Long press = Turn off / on display
- + 12h / 24h
- ⚙ Time set
- 🔔 Short press = Snooze
Long press = Turn off clock setting

4

Product structure of Speaker Clock:



- ① Camera
- ② Speaker
- ③ Micro SD card slot for speaker
- ④ Speaker for camera
- ⑤ Invisible night vision leds (Turn ON/OFF Automatically)
- ⑥ Display
- ⑦ Micro SD card slot
- ⑧ ON/OFF Key
- ⑨ Power indicator
- ⑩ Wi-Fi indicator
- ⑪ Charging indicator
- ⑫ Reset Key

6

Clock part of Speaker Clock:

- ⏪ Previous
- 🔌 Bluetooth On/Off
 - a. Long press 3 seconds to turn on/off Bluetooth
 - b. One click to pause music
 - c. Double click to switch Bluetooth mode or SD card mode (Default Bluetooth mode)
- 🔗 Blink=Bluetooth not connected, Solid=Bluetooth connected
- ⏩ Next
- S Time/Alarm/Date set
- P Hour/Month setting, 12H/24H
- P Minutes/Day setting, 12H/24H
- 🔔 Alarm On/Off
- 🔌 Screen On/Off

Tips: Local Time and Temperature info will be updated automatically every 2 hours after connecting to local Wi-Fi.

7

Wi-Fi Camera Connection Setting

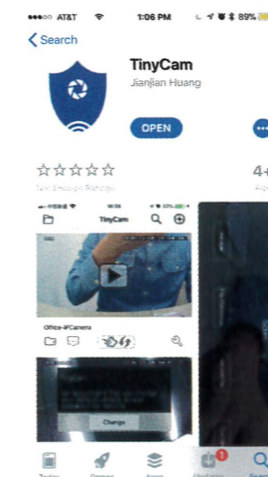
Step1: Download and install APP

Scan below QR code or search and download free APP named <TinyCam> in Apple APP store, Google play or Electronic market, and install it;

Tips: Please allow "TinyCam" to access your location while you are using the app(for syncing local weather info).



8



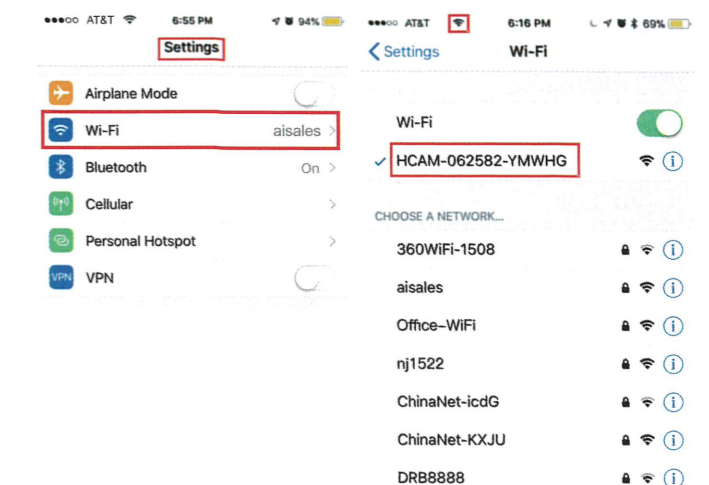
Step 2: Take off back cover and pull out the battery insulator --> Insert micro SD card --> Press back ON/OFF switch for 2 seconds, wait for 1 minute (Power indicator and Wi-Fi indicator is solid green.);

Tips: After above operation, please put on back cover and plug power adapter for long time use.

9

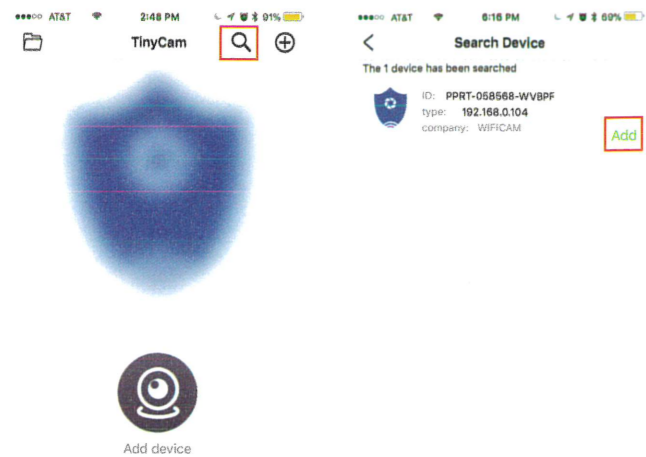
Step 3: Connect Wi-Fi

1. Open smartphone settings, search and connect the device's wireless signal named "HCAM.....", wait Wi-Fi connected, and phone status bar appear Wi-Fi symbol.



10

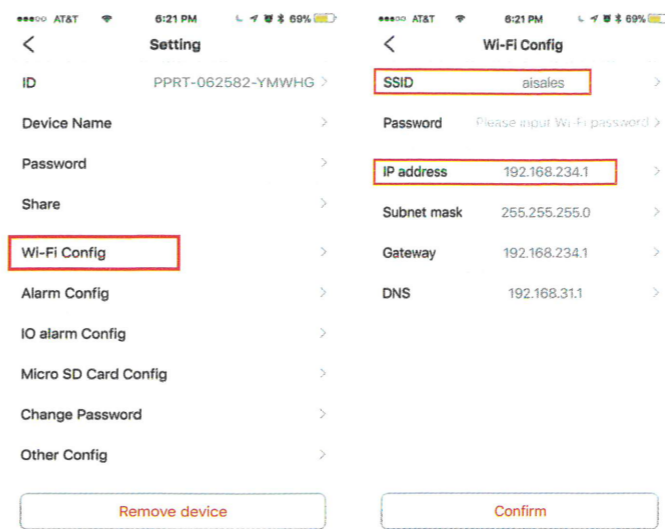
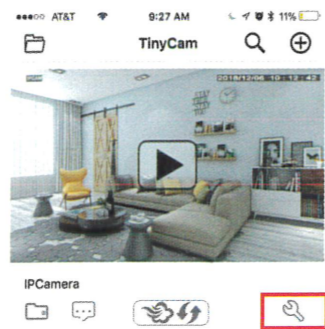
2. Enter APP, press right corner "Q" icon --> LAN search device --> Press Add --> Camera Online then;



Tips: 1. Please select **Change** to change device password for security [default: 888888] ;
2. This step = P2P mode, can check video locally when without Wi-Fi.

11

3. Press "Q" icon on the right corner of camera --> WiFi Config --> Select local Wi-Fi (SSID) --> Input password --> Press Confirm;

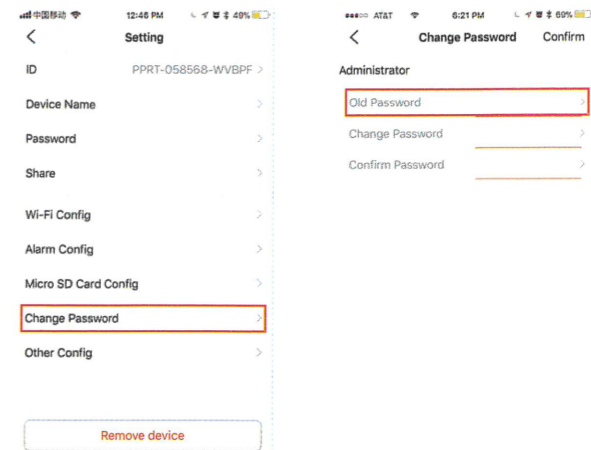


4. Quit APP , wait 30 seconds (device restart automatically) and connected with set Wi-Fi (Wi-Fi indicator flash regularly) ;
5. Enter APP and check live video locally or remotely anywhere.

13

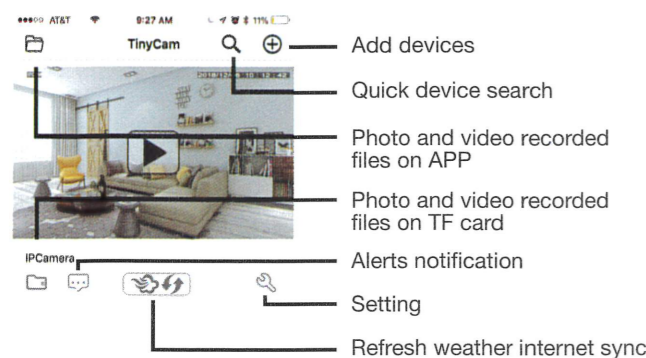
Set camera name and private code

Set name: Press the "Q" after the camera, select Device name --> Input needed name or select sample names like Office...
Set new password: Press the "Q" after the camera, select Change Password --> Old password = 888888.



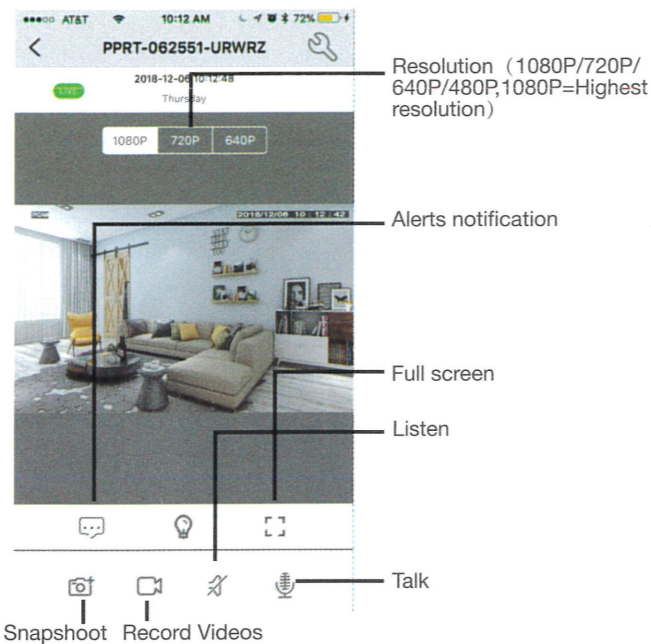
14

APP introduction:



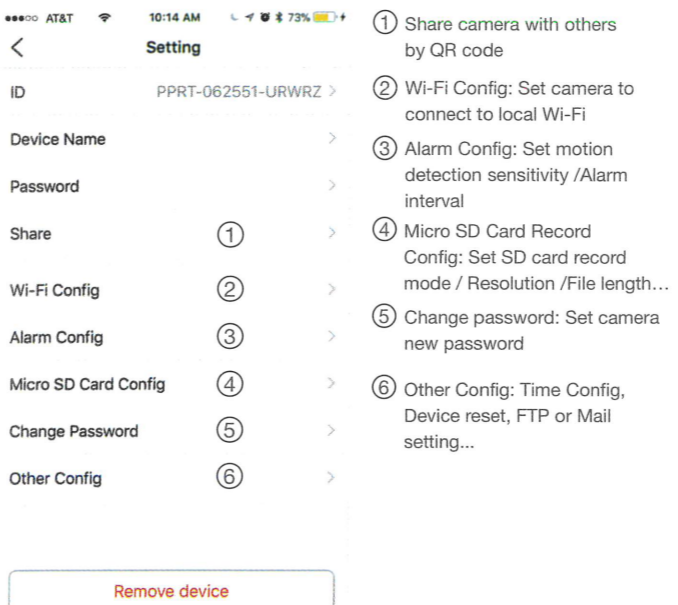
Tips: 1. Please confirm phone setting has allowed TinyCam App to access the location services;
2. A TF card (Micro SD card) must be inserted for saving alerts pictures.

15



12

16



17

Watch by PC in LAN network

Once camera connected well with Wi-Fi, press the "Q" after the camera, Wi-Fi Config --> find out IP address --> Input this IP address info into browser.
User name: admin Password: your set password (default 888888)

Watch by PC remotely (WAN)

Once camera connected well with Wi-Fi, download PC driver from below QR code.
Input UID, User name: admin Password: your set password (default 888888) for checking live streaming video remotely.



18

Specification

Resolution	1 Mega CMOS
Video pixel in phone	Max 1920*1080
Video pixel in card	1080*720
Frames	Max 25fps
Compressed format	H.264
View angle	120 Degree
Type of memory card	TF card >= Class 4/10 and HC marked
Maximum capacity of memory card	128GB
PC operation system	Windows 7, 8 / Mac OS X
Play software	VLCPlayer/SMPlayer
Mobile phone operation system	Android/iOS
Web browser	IE7 and above, chrome, firefox
Power consumption	300MA/3.7V
Battery Capacity	Rechargeable 3000 mA
Recording	1 minute/ around 20MB
Working time in day time	Around 8 hours
Working time in night time	Around 3 hours
Charging time	3-4 hours
Power adapter	5V / 2A

19

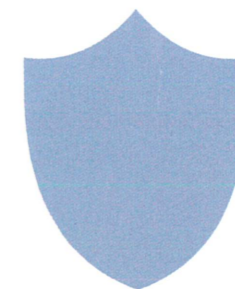
FAQ

- Q: Time display is not stable, always blinking?
A: It's with low battery, please charge it.
- Q: Can't get device Wi-Fi signal?
A: Press reset key for 10 seconds and wait 1 minute.
- Q: Live video not smooth and clear?
A: Select suitable resolution according to the real time network environment.
- Q: Motion detect set and alarm?
A: 1). Set motion detect sensitivity in Alarm Config, and press right corner Confirm to save the setting;
2). When motion detected, camera will push a alarm message to your phone and take one picture for checking in the APP [Page 16 - Alert notification]. (A micro sd card MUST be inserted for saving alarm pictures)

20

- Q: Micro SD card instruction?
A: 1). Format card before inserting;
2). When backside switch is on, every time you insert micro SD card, it will record automatically;
3). Once connected, can set SD management in app [Micro SD Card Record Config].
4). If Micro SD card detected and recording, the Wi-Fi indicator will flash slowly.
- Q: How to play micro SD card video?
A: 1). Use a card reader to read and play;
2). Use APP to play back [Page 15 - TF card recorded files];
3). Play back in good speed network.
- Q: Forget camera password, or item goes abnormal?
A: Turn on camera and wait for 1 minute, press reset key around 10 seconds till back indicators off to restore factory default. Camera restarts and get ready again in 1 minute.
- Q: Any operation video demo of the camera for setting up?
A: Please contact local dealer for video guide.

21



The end!